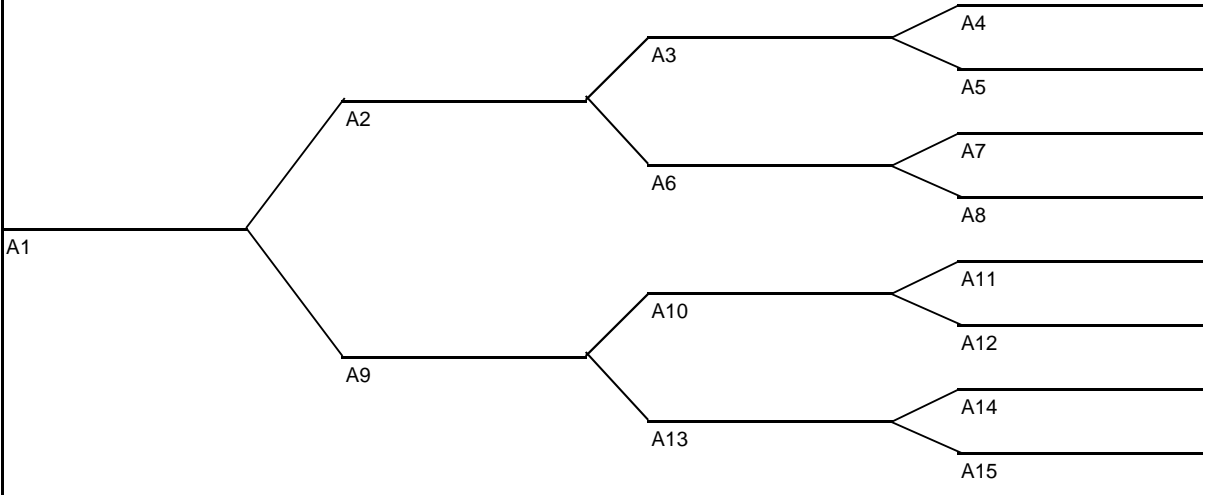


# REGISTRATION WORKSHEET

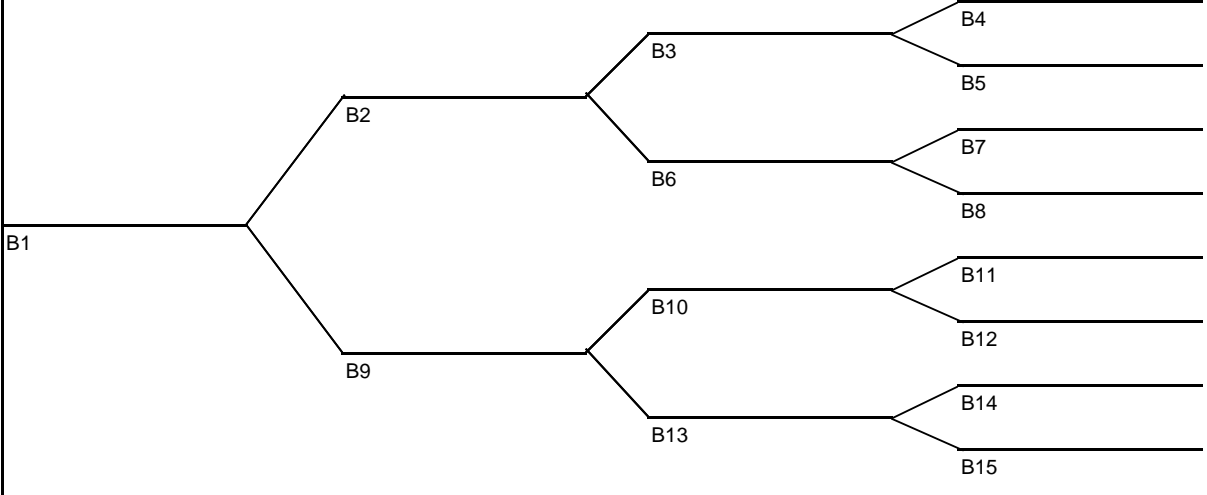
BE SURE TO INCLUDE CRN AND CLASS TIME FOR REFERENCE

MAXIMUM CREDITS \_\_\_\_\_

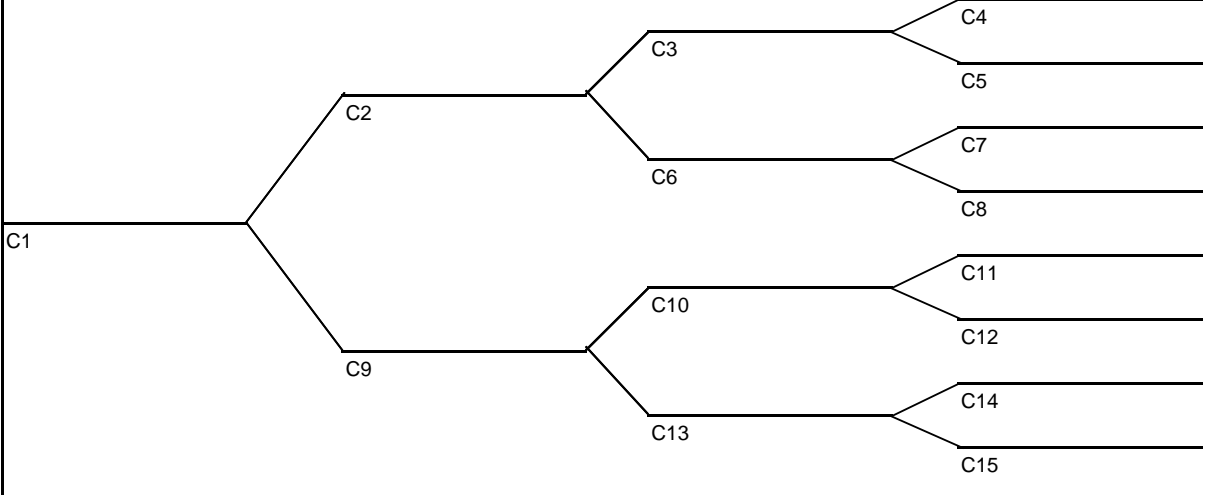
## TREE A



## TREE B



## TREE C



## OTHER COURSES

- O1 \_\_\_\_\_
- O2 \_\_\_\_\_
- O3 \_\_\_\_\_
- O4 \_\_\_\_\_
- O5 \_\_\_\_\_
- O6 \_\_\_\_\_
- O7 \_\_\_\_\_

## LABORATORIES

- L1 \_\_\_\_\_
- L2 \_\_\_\_\_
- L3 \_\_\_\_\_
- L4 \_\_\_\_\_
- L5 \_\_\_\_\_
- L6 \_\_\_\_\_
- L7 \_\_\_\_\_