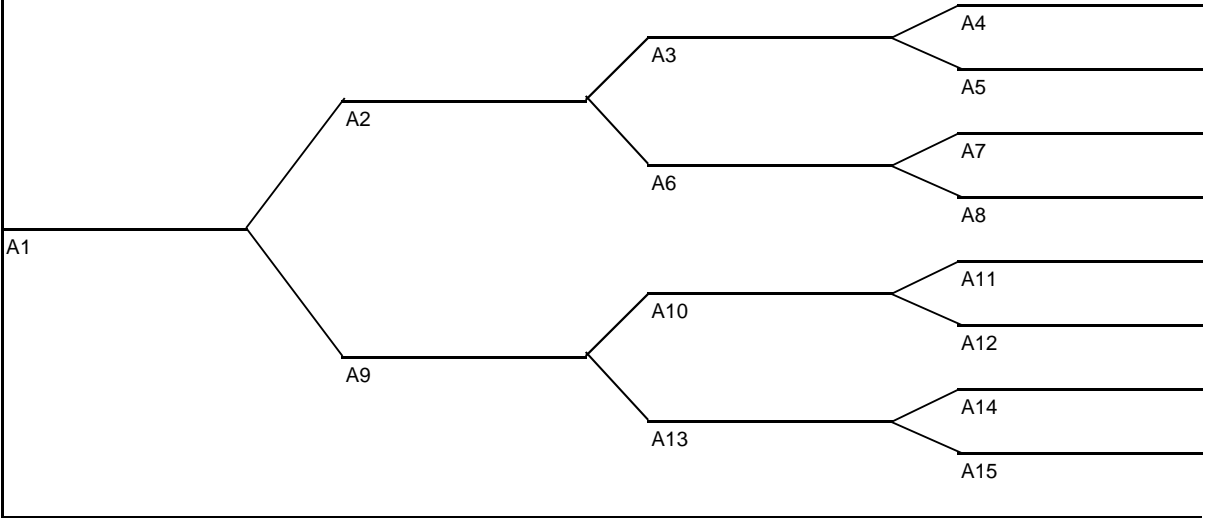


REGISTRATION WORKSHEET

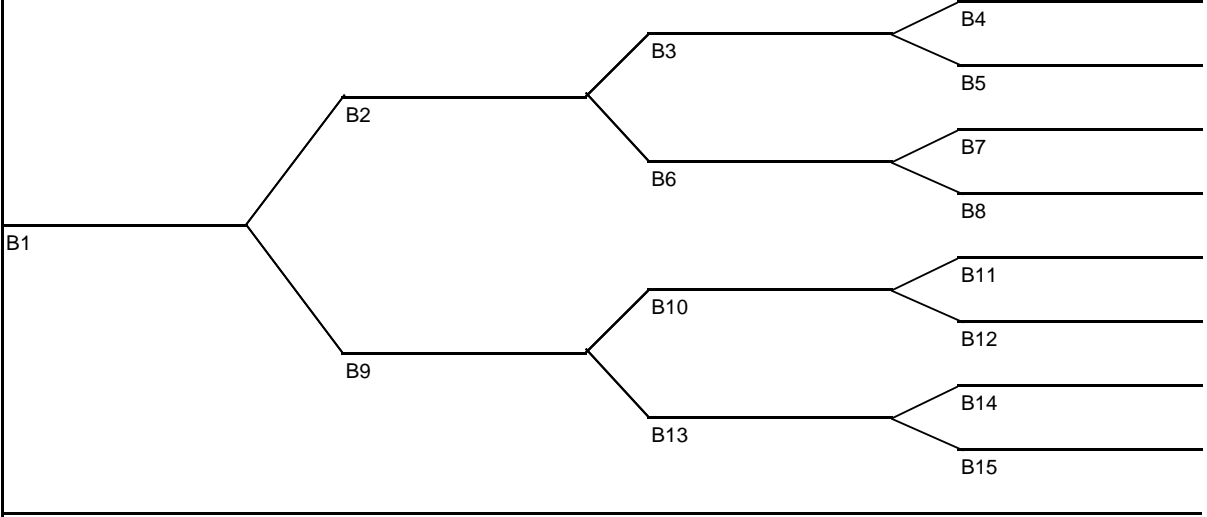
BE SURE TO INCLUDE CRN AND CLASS TIME FOR REFERENCE

MAXIMUM CREDITS _____

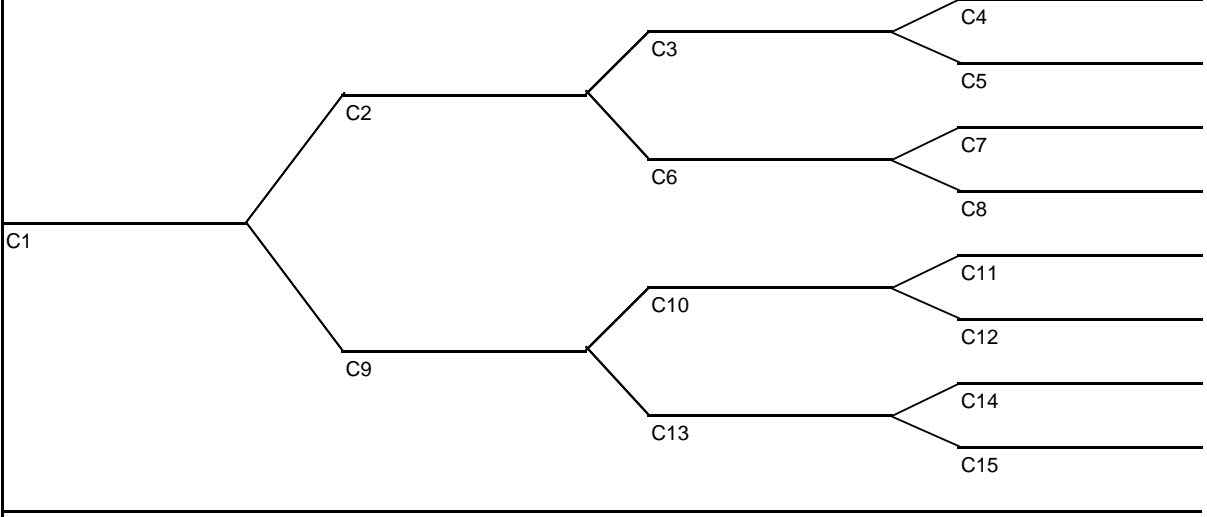
TREE A



TREE B



TREE C



OTHER COURSES

- O1 _____
- O2 _____
- O3 _____
- O4 _____
- O5 _____
- O6 _____
- O7 _____

LABORATORIES

- L1 _____
- L2 _____
- L3 _____
- L4 _____
- L5 _____
- L6 _____
- L7 _____